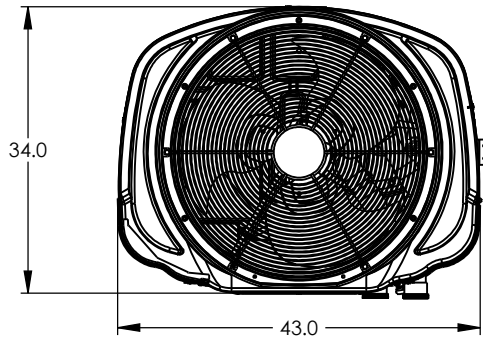
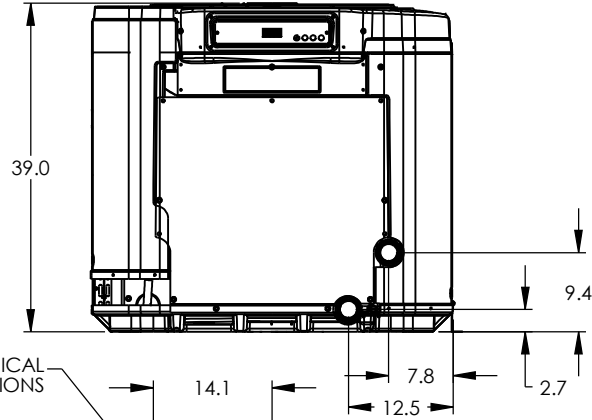


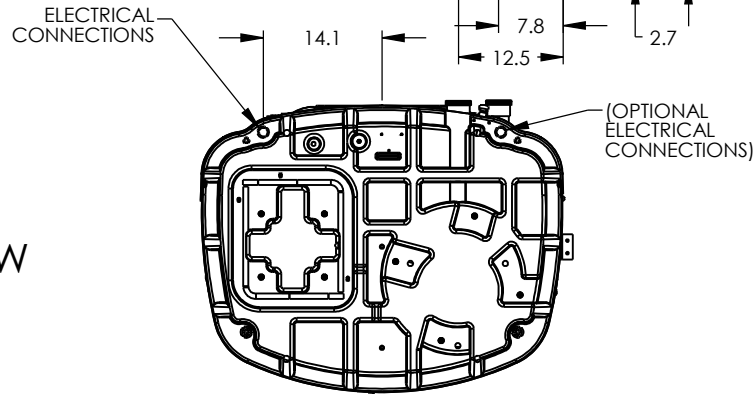
TOP VIEW



FRONT VIEW



BOTTOM VIEW



| REVISION TABLE | | | |
|----------------|------------------------|------------|-----------|
| REV. | PCA NUMBER/DESCRIPTION | CHANGED BY | DATE |
| REL-A | PRODUCTION RELEASE | RENEEC | 3/21/2008 |

APPLICABLE MODEL NUMBERS:
SQ121

| | | | | | |
|---|--|--|--|---|--|
| | | The Innovative Leader In Pool & Spa Water Conditioning Equipment 2737 24th St. No. St. Petersburg, FL 33713 | | | |
| UNLESS OTHERWISE SPECIFIED, DIMENSIONS ARE IN INCHES. TOLERANCES ARE: DECIMALS ANGLES | | DESCRIPTION SQ121 UNIT OVERALL DIMENSIONS | | | |
| MODELED BY: RBC DATE: 03/26/07 | | DRAWN BY: RBC DATE: 09/27/07 | | PROJECT ENG: DKS CHK'D BY: DKS | |
| MATERIAL FINISH DO NOT SCALE DRAWING | | INFORMATION CONTAINED IN THIS DRAWING IS THE SOLE PROPERTY OF AQUACAL AUTOPILOT, INC. ANY REPRODUCTION IN PART OR WHOLE WITHOUT WRITTEN PERMISSION OF AQUACAL AUTOPILOT, INC. IS PROHIBITED | | PART NO. LTM0129 SCALE: 1:14 DWG SIZE: B REVISION: REL-A SHEET 1 OF 1 | |
| CAD FILE: SuperQuiet II 2007 | | CAD FILE: SuperQuiet II 2007 Last Revision: 02/16/07 | | | |

CAD GENERATED DRAWING. DO NOT MANUALLY CHANGE